

ESC150S12AC

Magnetic Dimmable

Outdoor Stainless Steel Enclosure

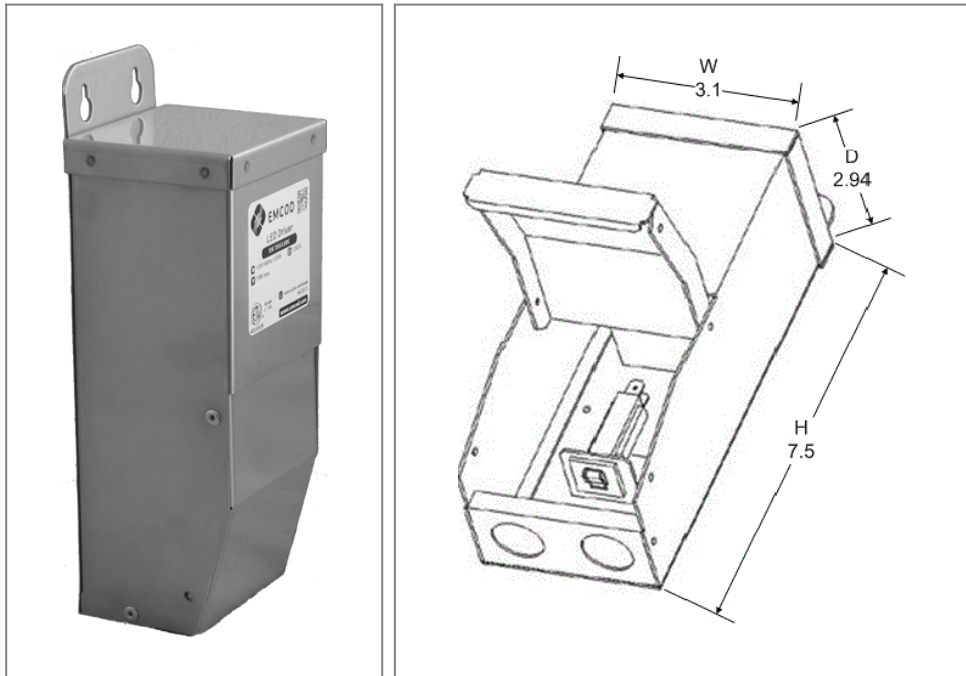
Single Circuit: **12VAC**

Total Wattage: **150W max**

Input Voltage: **120V 60Hz**



Conforms to UL STD. 1012
Certified to CSA
STD. C22.2 No 107.1
model C-150
[Link to certification](#)



Transformer

Dimmable with any LV magnetic dimmer as long as you cover dimmer's min load.

Temperature class B(130°C)

Two section bobbin completely separated primary and secondary windings

Input leads are 18AWG 600V

Output leads are 12AWG 300V

Leads max. operational temperature is 105°C

Thermal manually reset primary breaker 2A

Thermal manually reset secondary breaker 20A

Housing

The actual transformer 150W is encapsulated in the enclosure

The enclosure is Stainless Steel, NEMA 3R rated

Wiring compartment has 2 knockouts sizes for 3/8 inch screw cable connectors

Enclosure Temperature does not exceed 75°C at 45°C ambient and fully loaded

Dimensions (inch): H = 7.5, W = 3.1, D = 2.75

Weight (LBs): 6

Electrical Parameters

Input Voltage: **120V 60Hz**

Max. input current at full load: **1.3A**

Output voltage without load: **12.8VAC**

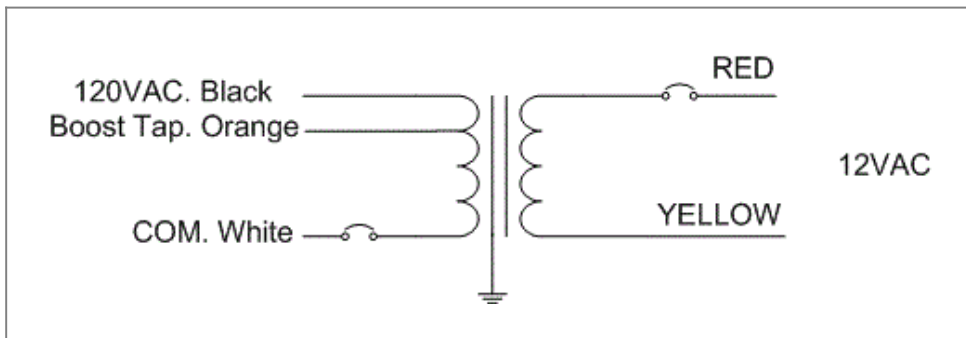
Output voltage fully loaded: **11.8VAC**

Max. Total Wattage: **150W**

Max. Output Current: **12.5A**

Efficiency: **85%**

Load regulation: **8%**



Mailing Address: 15545 Cabrito Rd. Van Nuys, CA 91406 Tech support: Arik Nirenberg phone: 818-904-3309 cellphone: 818-269-4091
Fax: 818 904 3327 info@emcod.com techsupport@emcod.com