

EPC300W

Magnetic Non Dimmable

Outdoor Black Powder Coated Steel Enclosure

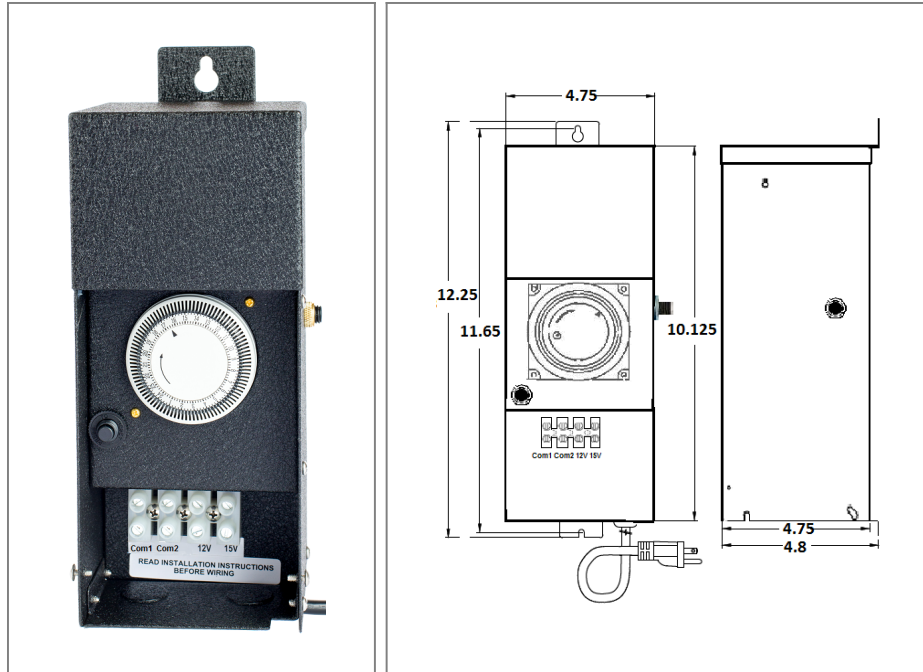
Multi Tap: **12VAC and 15VAC**

Total Wattage: **300W max**

Input Voltage: **120V 60Hz**



Conforms to UL STD. 1838
Certified to CSA
STD. C22.2 № 250.0, 250.7



Transformer

Non Dimmable

Temperature class B(130°C)

Timer and photocell build in options

Housing

The actual transformer 300W is encapsulated in the enclosure

The enclosure is Black Powder Coated Steel, NEMA 3R rated

Wiring compartment has 2 knockouts sizes for 3/8 inch screw cable connectors

Enclosure Temperature does not exceed 65°C at 45°C ambient and fully loaded

Dimensions (inch): H = 12.25, W = 4.75, D = 4.8

Weight (LBs): 1.4

Electrical Parameters

Input Voltage: **120V 60Hz**

Max. input current at full load: **2.5A**

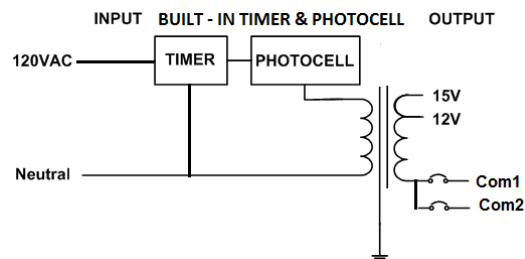
Output voltage without load: **12/ 15VAC**

Output voltage fully loaded: **11.5/ 14.5VAC**

Max. Total Wattage: **300W**

Max. Output Current: **25/ 20A**

Efficiency: **90%**



Mailing Address: 646 Flinn Ave. Unit B, Moorpark , CA 93021 Tech support: Arik Nirenberg phone: 818-904-3309

Fax: 818 904 3327 info@emcod.com techsupport@emcod.com