

MLE60-24DC-P

Class 2 Electronic Phase cut Dimmable

Outdoor Plastic Suitable For Dry And Damp Location Enclosure

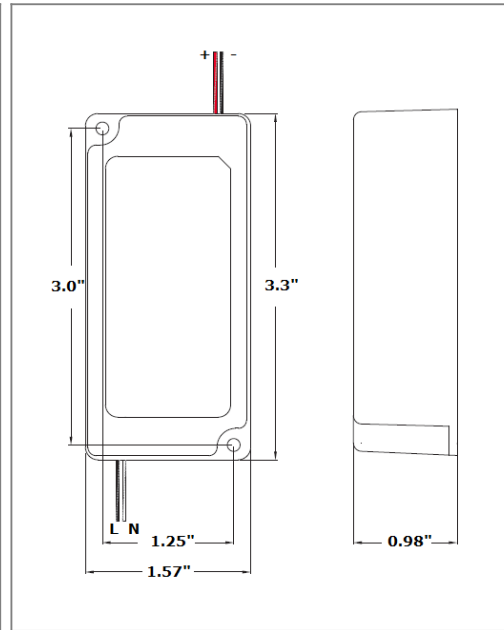
Single Circuit: **24VDC**

Total Wattage: **60W max**

Input Voltage: **120V 50/60Hz**



Conforms to UL STD. 8750 and 1310
Certified to CSA
STD. C22.2 No 223
model MLE60-24DC-P



Transformer

Dimmable with compatible MLV, ELV, CL dimmers, please refer to list on emcod.com

Input leads are 18AWG 600V

Output leads are 18AWG 300V

Leads max. operational temperature is 105°C

Housing

The actual transformer 60W is encapsulated in the enclosure

The enclosure is Plastic suitable for dry and damp location, fit in 4" junction box, IP20 rated

Enclosure Temperature does not exceed 70°C at 45°C ambient and fully loaded

Dimensions (inch): H = 1.57, W = 3.3, D = 0.98

Weight (LBs): 0.4

Electrical Parameters

Input Voltage: **120V 50/60Hz**

Max. input current at full load: **0.58A**

Output voltage without load: **24.5VDC**

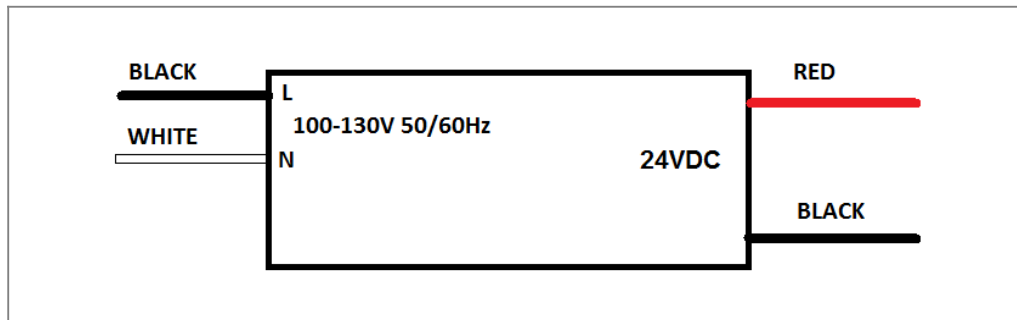
Output voltage fully loaded: **23.5VDC**

Max. Total Wattage: **60W**

Max. Output Current: **2.5A**

Efficiency: **89%**

Load regulation: **5%**



Mailing Address: 6925 Eton Ave. Canoga Park, CA 91303 Tech support: Arik Nirenberg phone: 818-904-3309 cellphone: 818-269-4091
Fax: 818 904 3327 info@emcod.com techsupport@emcod.com