

# EGP150P12AC

## Magnetic Dimmable

Outdoor Black Powder Coated Steel Enclosure

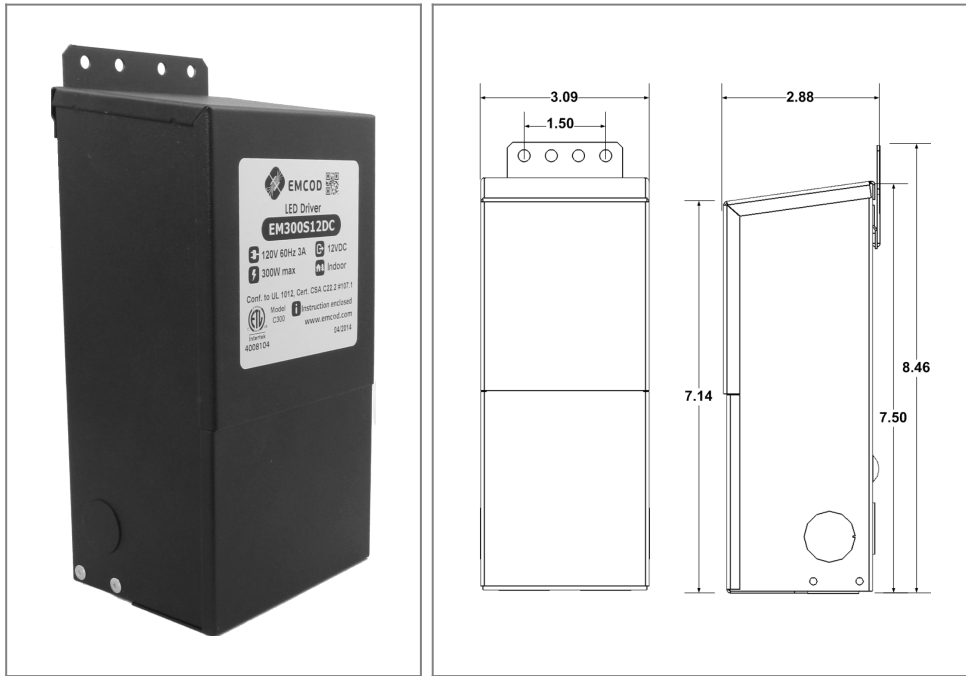
Double Circuit: **12/24VAC**

Total Wattage: **150W max**

Input Voltage: **120V 60Hz**



Conforms to UL STD. 2108  
Certified to CSA  
STD. C22.2 № 250.0  
model EM150  
[Link to certification](#)



### Transformer

Dimmable with any LV magnetic dimmer as long as you cover dimmer's min load.

Temperature class B(130°C)

Two section bobbin completely separated primary and secondary windings

Input leads are 18AWG 600V

Output leads are 12AWG 300V

Leads max. operational temperature is 105°C

Thermal manually reset primary breaker 2A per circuit

### Housing

The actual transformer 150W is encapsulated in the enclosure

The enclosure is Black Powder Coated Steel, NEMA 3R rated

Wiring compartment has 6 knockouts sizes for 3/8 inch screw cable connectors

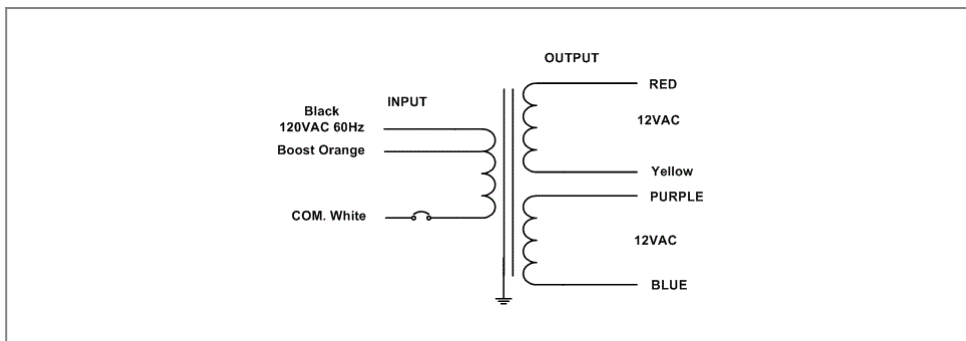
Enclosure Temperature does not exceed 75°C at 45°C ambient and fully loaded

Dimensions (inch): H = 7.5, W = 3.1, D = 2.94

Weight (LBs): 0.6

### Electrical Parameters

Input Voltage:	<b>120V 60Hz</b>
Max. input current at full load:	<b>1.5A</b>
Output voltage without load:	<b>13.9/ 25.8VAC</b>
Output voltage fully loaded:	<b>11.8/ 23.8VAC</b>
Max. Total Wattage:	<b>150W</b> Max. per circuit: <b>75W</b>
Max. Output Current:	<b>12.5/ 6.2A</b> per circuit.
Efficiency:	<b>87%</b>
Load regulation:	<b>7%</b>



Mailing Address: 15545 Cabrito Rd. Van Nuys, CA 91406 Tech support: Arik Nirenberg phone: 818-904-3309 cellphone: 818-269-4091  
Fax: 818 904 3327 info@emcod.com techsupport@emcod.com