

# EM6-300S12DC277

## Class 2 Magnetic Dimmable

Outdoor Black Powder Coated Steel Enclosure

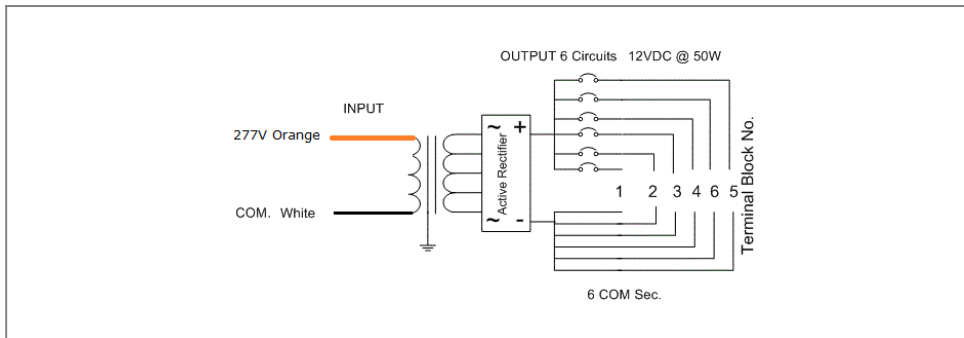
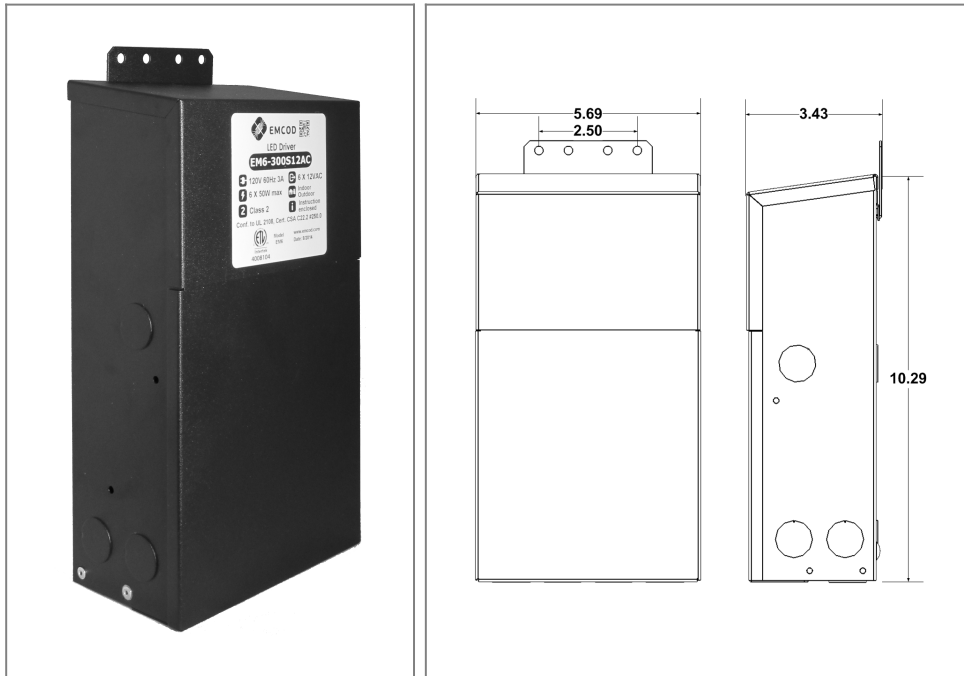
Multi Circuit: **12VDC**

Total Wattage: **300W max**

Input Voltage: **277V 60Hz**



Conforms to UL STD. 2108  
Certified to CSA  
STD. C22.2 No 250.0  
model EM6



### Transformer

Dimmable with any LV magnetic dimmer as long as you cover dimmer's min load.  
Temperature class B(130°C)  
Two section bobbin completely separated primary and secondary windings  
Input leads are 18AWG 600V  
Output leads: Terminal Block  
Leads max. operational temperature is 105°C  
Thermal manually reset secondary breaker 5A per circuit

### Housing

The actual transformer 300W is encapsulated in the enclosure  
The enclosure is Black Powder Coated Steel, NEMA 3R rated  
Wiring compartment has 13 knockouts sizes for 3/8 inch screw cable connectors  
Enclosure Temperature does not exceed 75°C at 45°C ambient and fully loaded  
Dimensions (inch): H = 10.29, W = 5.69, D = 3.43  
Weight (LBs): 10

### Electrical Parameters

Input Voltage:	<b>277V 60Hz</b>
Max. input current at full load:	<b>2.8A</b>
Output voltage without load:	<b>12.8VDC</b>
Output voltage fully loaded:	<b>11.8VDC</b>
Max. Total Wattage:	<b>300W</b> Max. per circuit: <b>50W</b>
Max. Output Current:	<b>4.1A</b> per circuit.
Efficiency:	<b>93%</b>
Load regulation:	<b>8%</b>

Mailing Address: 15545 Cabrito Rd. Van Nuys, CA 91406 Tech support: Arik Nirenberg phone: 818-904-3309 cellphone: 818-269-4091  
Fax: 818 904 3327 info@emcod.com techsupport@emcod.com